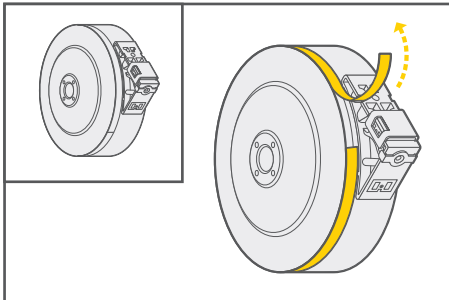
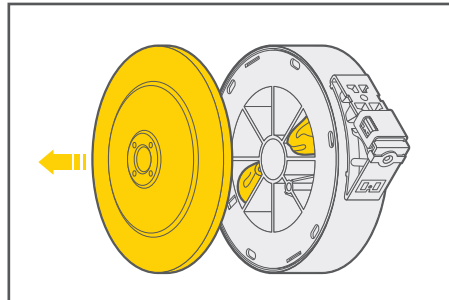


## FUSED DEPOSITION MODELING FILAMENT INSTALLATION INSTRUCTIONS



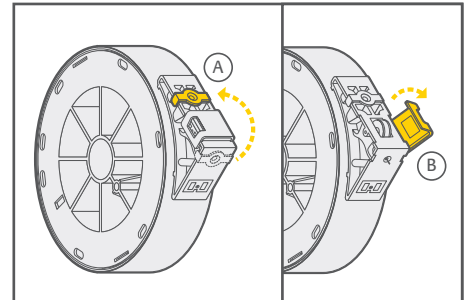
### STEP 1

- SAFETY TIP: When changing the filament spool, wear safety glasses and gloves.
- Find end of metal tape connecting lid to canister body and slowly remove.



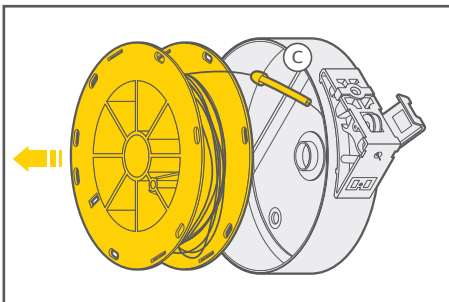
### STEP 2

- Remove canister lid and set aside.
- Remove and discard any existing desiccant packets located within the spool.



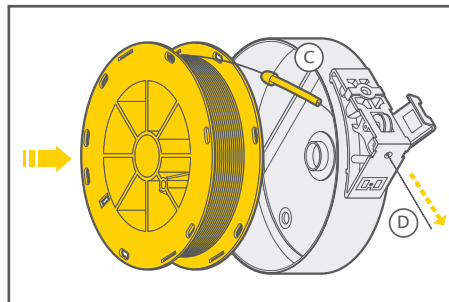
### STEP 3

- Remove filament outfeed cap (A) and temporarily clip to storage position on canister outfeed device.
- Open advancement wheel door (B) on canister outfeed device.



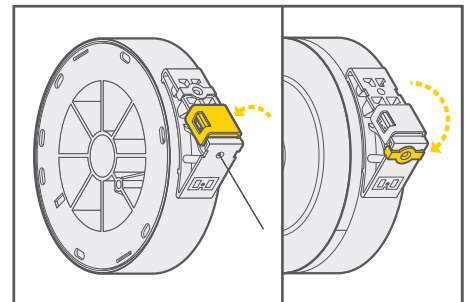
### STEP 4

- Remove old spool and discard.
- Save filament guide (C) for re-use with new spool.
- Carefully remove new filament spool from sealed bag. Save desiccant packets for later installation.
- TECH TIP: Avoid prolonged exposure to air which can lead to moisture absorption and can affect material performance.



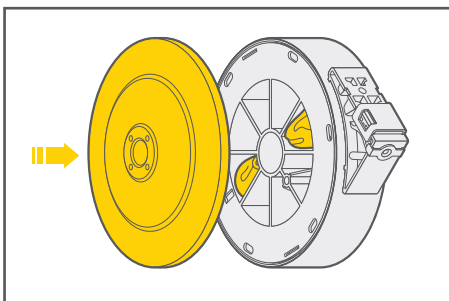
### STEP 5

- Detach free end of filament from spool.
- Re-install filament guide (C) while maintaining tension on the filament.
- Feed filament (D) through outfeed device port.
- Insert new spool into canister body.
- TECH TIP: Maintain tight filament tension throughout the process to avoid filament feed issues.



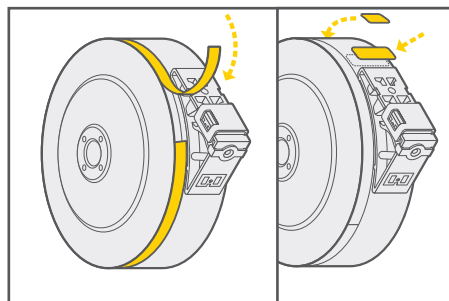
### STEP 6

- Close advancement wheel door on canister outfeed device while maintaining tension on filament.
- Cut filament flush with the outfeed port and replace filament outfeed cap.



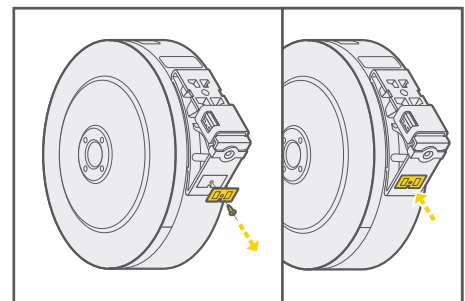
### STEP 7

- Install new desiccant packets (included with new spool).
- Replace lid by carefully aligning to canister body.



### STEP 8

- Secure lid to canister body using new tape provided making sure to apply firm pressure on lid to ensure a proper seating.
- Burnish tape using burnishing tool to remove any bubbles or wrinkles.
- Apply product label from outside of bag to canister.
- Apply square label to canister for recording remaining capacity & date.



### STEP 9

- Remove screw to release old EEPROM chip.
- Install EEPROM chip provided and follow the key-way on the canister outfeed device to ensure metal tabs on new chip remain exposed.
- Canister may now be installed into machine.
- TECH TIP: When storing canister, keep upright to maintain tight filament tension and to avoid filament feed issues.



## LIMITED WARRANTY

**Effective Date: September 26, 2016**

**SABIC Innovative Plastics US LLC's ("SABIC" or "Seller") Limited Warranty for Filament Spool purchased from SABIC or its authorized distributor/s ("Product"). "Buyer" means a party purchasing the Product.**

**LIMITED WARRANTY.** Seller warrants that all Products sold to Buyer will be free of any claim of ownership by third parties and will conform to the manufacturer's specifications in effect at the time of manufacture, or such other specifications as shall have been expressly agreed in a writing signed by Buyer and Seller. Buyer will inspect all Products for damage, defect or shortage promptly after Buyer receives them, and will give Seller prompt notice of any damage, defect or shortage that Buyer finds. The conditions of any test for conformance with specifications shall be mutually agreed upon and Seller will be notified of, and may be represented at, all such tests. If any Product is determined not to conform to the warranty set forth above during the period ending at the earlier of (i) the date of use of the Product by Buyer,

or (ii) six months from date of shipment by Seller, then Seller shall, at its option, either replace the defective Product or refund the purchase price. Defective Products shall not be returned by Buyer until authorized by Seller. This remedy is Buyer's exclusive remedy for breach of warranty. If applicable law prohibits this limitation of Buyer's remedies, then Seller agrees that the maximum amount Buyer may claim from Seller is twice the net purchase price Buyer actually paid Seller for Product determined to be defective.

**THIS LIMITED WARRANTY IS GIVEN ONLY TO THE ORIGINAL PURCHASER; EXCEPT FOR AUTHORIZED DISTRIBUTORS OF SELLER WHO ARE PERMITTED TO PASS-THROUGH SELLER'S LIMITED WARRANTY FOR PRODUCT, IT MAY NOT BE TRANSFERRED OR ASSIGNED AND DOES NOT EXTEND TO ANY SUBSEQUENT PURCHASER OR TRANSFEREE OF PRODUCTS. THIS WARRANTY IS IN LIEU OF AND SELLER DISCLAIMS ALL OTHER WARRANTIES, WRITTEN OR ORAL, STATUTORY, EXPRESS OR IMPLIED, INCLUDING ANY WARRANTY OF MERCHANTABILITY OR FITNESS FOR A PARTICULAR PURPOSE.**

SABIC EXPRESSLY PERMITS ITS AUTHORIZED DISTRIBUTORS TO PASS-THROUGH THIS LIMITED WARRANTY TO THEIR CUSTOMERS.

NOTWITHSTANDING THE LIMITED WARRANTY ABOVE, THE WARRANTY PERIOD FOR SABIC'S FILAMENT SPOOL SHALL BE TWELVE (12) MONTHS FROM DATE OF MANUFACTURE.

**BUYER'S OBLIGATIONS:** In order to receive the benefits of this Warranty, the Buyer must use the Product in a normal way; follow the Product's instructions; and protect against further damage to the Product if there is a covered defect. No Products shall be returned by the Buyer unless approved by Seller or its authorized distributor/s.

**OBTAINING WARRANTY SERVICE:** For Product warranty support, please contact your authorized distributor. For all other comments or questions about this Warranty or the Product, please contact [productinquiries@sabic.com](mailto:productinquiries@sabic.com).